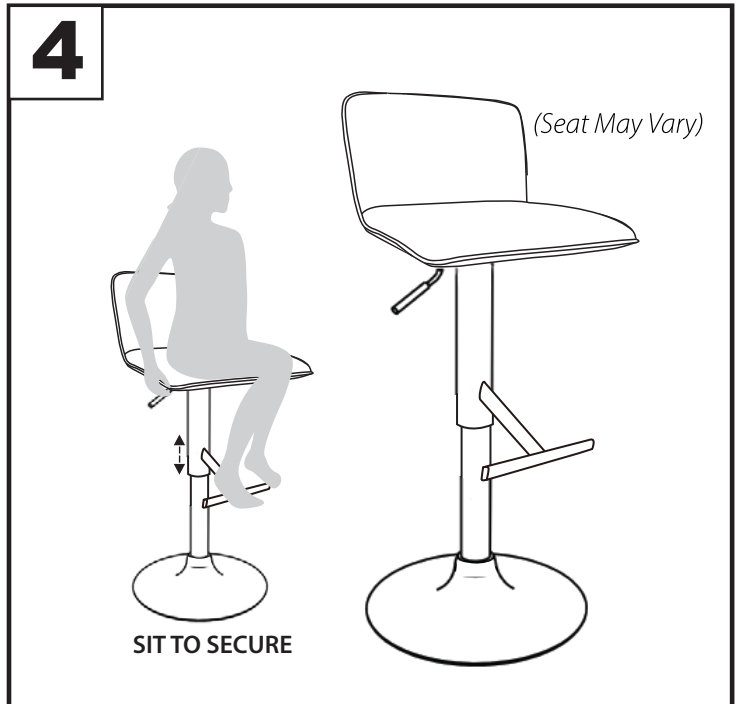
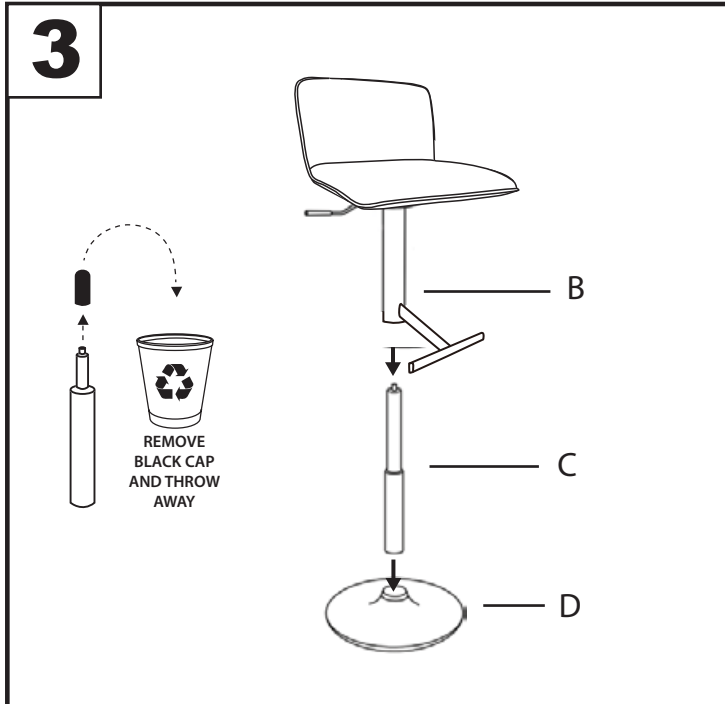
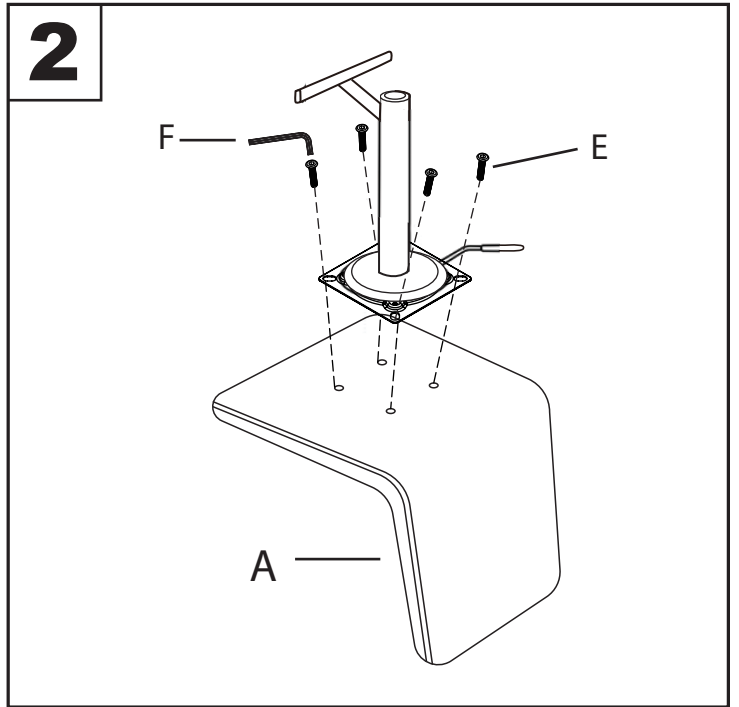
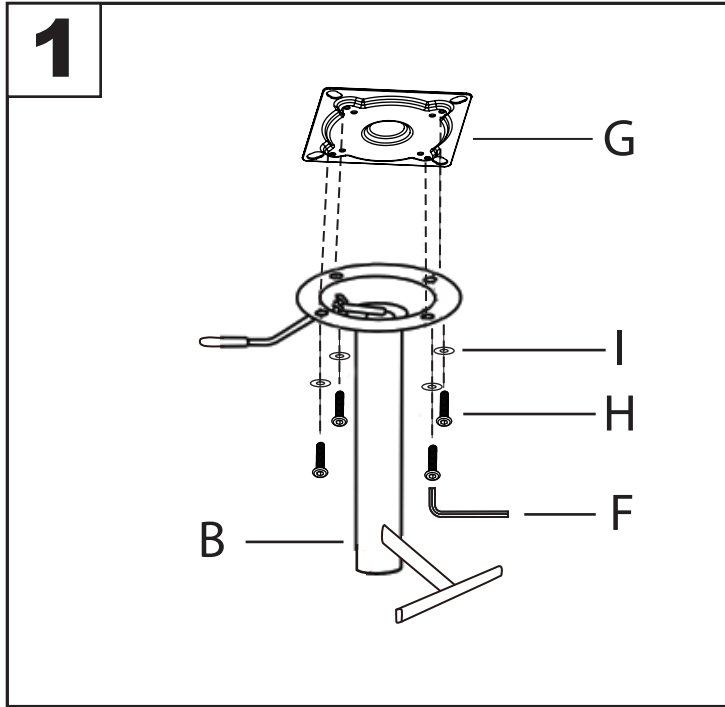
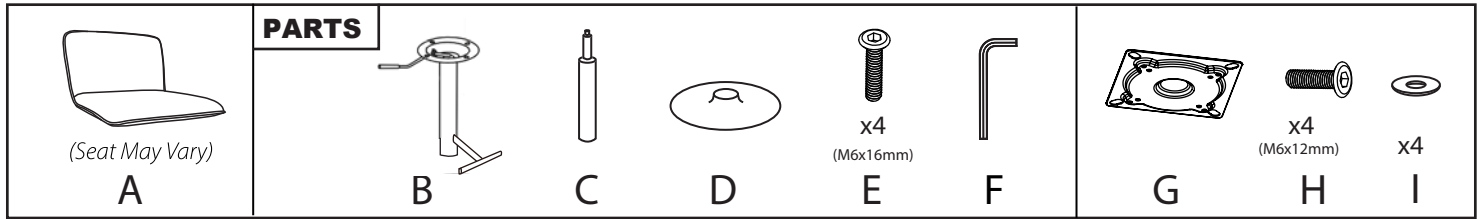


Part # J33-STRT R17 XX+XX with 3355ADAP


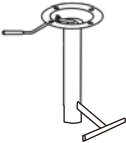




21-1027



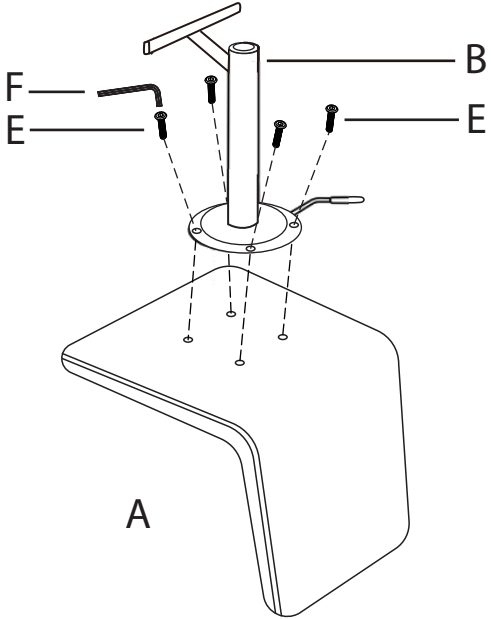
Do not over tighten.
Do not use power tools to assemble.

Part # J33-STRT R17 XX+XX

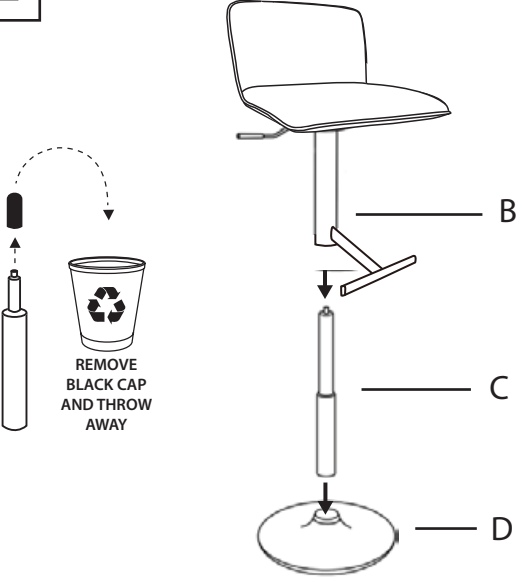
21-1027

 <p>(Seat May Vary)</p> <p>A</p>	<p>PARTS</p>	 <p>B</p>	 <p>C</p>	 <p>D</p>	 <p>x4 (M6x16mm)</p> <p>E</p>	 <p>F</p>
--	---------------------	---	---	--	---	---

1 For smaller hole pattern

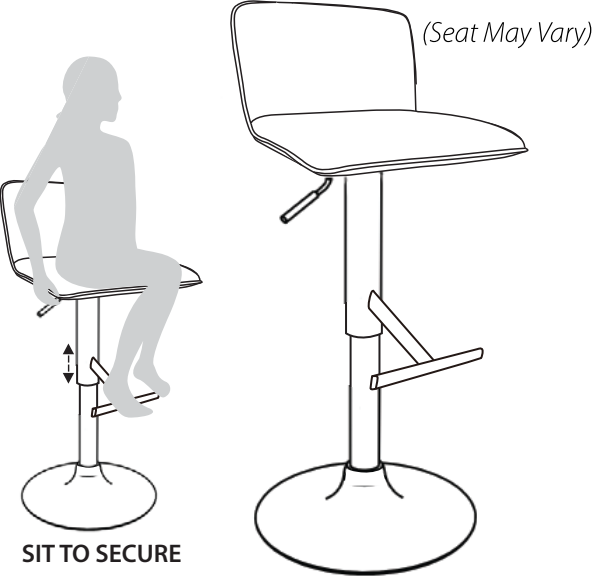


2



REMOVE BLACK CAP AND THROW AWAY

3



(Seat May Vary)

SIT TO SECURE



Do not over tighten.
Do not use power tools to assemble.